

NIKKISO EIKO

NF SERIES

SOLENOID DRIVEN DIAPHRAGM TYPE METERING PUMP

NIKKISO

Specification

Model	NFF30	NFF60	NFH80	NFH100	NFH200
Max. Discharge Capacity (mL/min) *1	30	60	80	100	200
Max. Discharge Pressure (MPa)	1.0	0.7	1.0	0.6	0.35
Diaphragm Dia.	φ37.5	φ44	φ44	φ51	φ58
Inlet & Outlet Hose Size	φ4xφ9 PVC Braid Hose *1			φ6xφ11 PVC Braid Hose *2	
Air Venting Hose Size	φ4xφ7 PVC Hose				
Number of Stroke	1-300 spm (LCD Digital Display)				
Stroke Length Adjusting Range	50~100%				
Power Supply	Single Phase AC 100-240V ±10% 50/60Hz Free power supply				
Max. Electric Current	2.5A		3.7A		
Power Consumption (Average)	14W		22W		
Protection	Equivalent to IP65				

Remarks : 1) The discharge capacity is based on Max. discharge pressure/100% stroke length/300s.p.m.

2) Basic performance data are on last page. 3) Max. allowable viscosity : 50mPa-s

4) Optional size hoses available only change an union nut collar.

*1 : Option : φ6xφ11, φ6xφ8 *2 Option : φ6xφ8

Model Code

NF **F** **30** - **D** **C** **F** - **M**

① ② ③ ④ ⑤ ⑥ ⑦ ⑧

① Series NF NF series	④ Diaphragm Head Material/Type D PVDF (General chemicals) A PMMA (Hypochlorite) J PMMA (Hypochlorite) Auto Air Venting type (NFF30, 60, NFH80) M 316 Stainless Steel T PTFE	⑦ Power end/Control Style M Standard Type Manual ON-OFF Interval Timer P Multi-function Pulse Input Control Type Manual ON-OFF Interval Timer External contact input A Multi-function Analog Input Control Type Manual ON-OFF Interval Timer External contact input
② Power consumption (Average) F 14W (NFF30, 60) H 22W (NFH80, 100, 200)	⑤ Ball Valve Material C Ceramics M 316 Stainless Steel	⑧ Special Specification
③ Pump size (Capacity) 30 30ml/min at 1.0MPa 60 60ml/min at 0.7MPa 80 80ml/min at 1.0MPa 100 100ml/min at 0.6MPa 200 200ml/min at 0.35MPa	⑥ O Ring/Valve Seat Material E EPDM F FPM T SP Fluorine Rubber/PTFE	

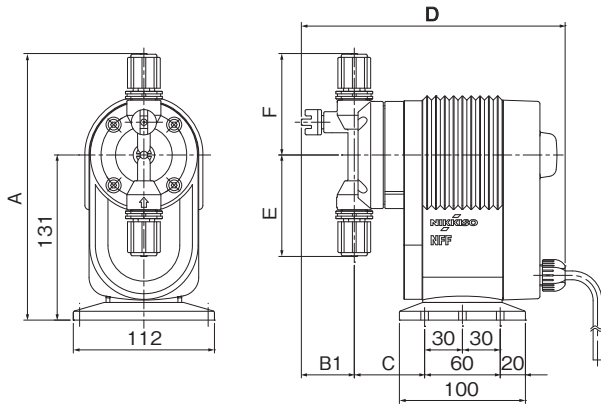
Accessories for PVDF & PMMA Head

Model	Anti Siphon Check Valve	Filter	Inlet & Outlet Hose	Air Vent Hose
NFF30	B127P2/B123P2/B150PV	B126PE/B125PE/B161PE	3m φ4xφ9 or φ6xφ11	1m φ4xφ7
NFF60	B127P2/B123P2/B150PV	B126PE/B125PE/B161PE	3m φ4xφ9 or φ6xφ11	1m φ4xφ7
NFH80	B127P2/B123P2/B150PV	B126PE/B125PE/B161PE	3m φ4xφ9 or φ6xφ11	1m φ4xφ7
NFH100	B123P2/B150PV	B125PE/B161PE	3m φ6xφ11	1m φ4xφ7
NFH200	B123P2/B150PV	B125PE/B161PE	3m φ6xφ11	1m φ4xφ7

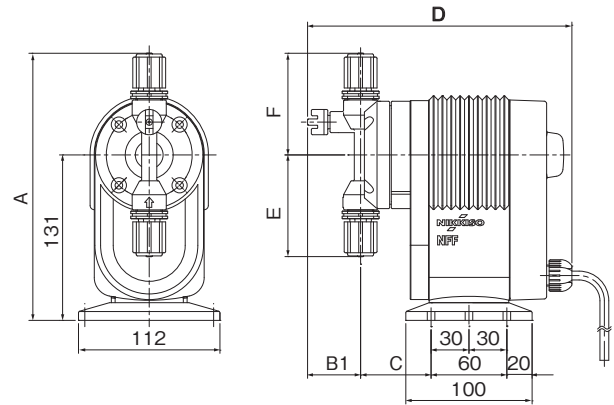
Remarks : for SUS or PTFE head : to be consulted by Nikkiso Eiko

Outline Dimensions

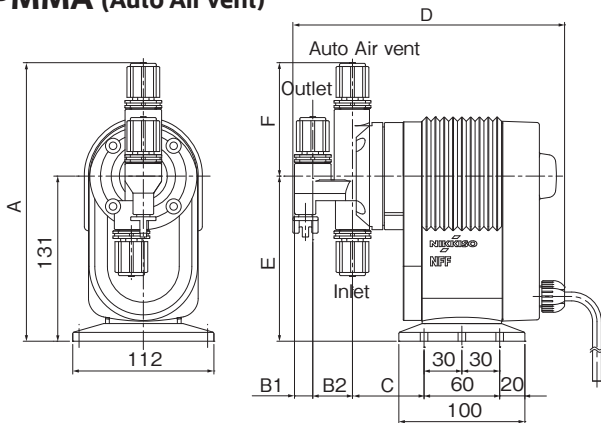
PVDF



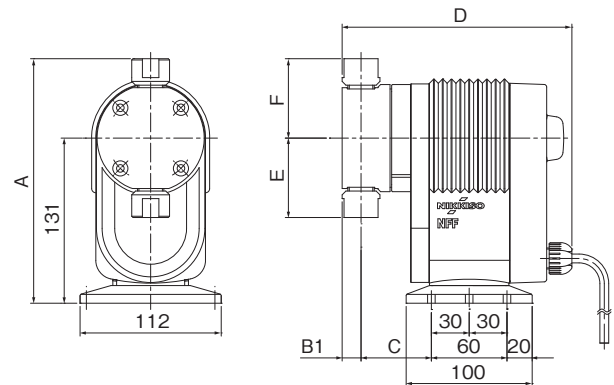
PMMA



PMMA (Auto Air vent)



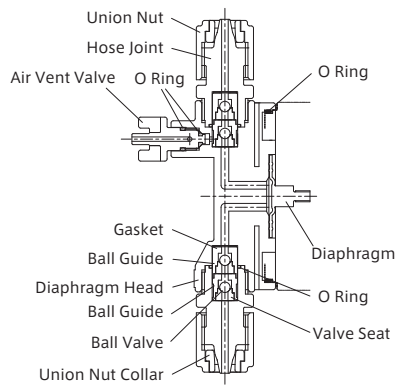
SUS316/PTFE



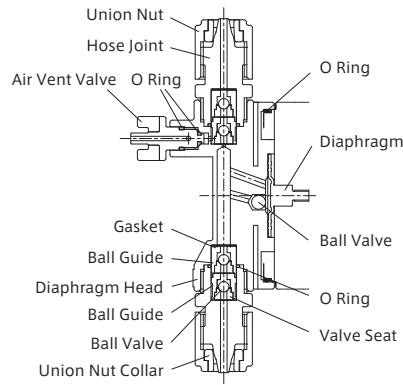
Model	Head Material	A	B1	B2	C	D	E	F
NFF30	PVDF	211.5	42	—	56	210	80.5	80.5
NFF60		211.5	42	—	56	210	80.5	80.5
NFH80		211.5	42	—	56	210	80.5	80.5
NFH100		218	45	—	59	215	87	87
NFH200		218	45	—	59	215	87	87
NFF30		PMMA	211.5	42	—	56	210	80.5
NFF60	208		42	—	56	210	77	77
NFH80	208		42	—	56	210	77	77
NFH100	218		45	—	56	211	87	87
NFH200	218		45	—	56	211	87	87
NFF30	PMMA (Auto Air Vent)		221	14.5	32	57	216	131
NFF60		238	18.5	32	57	216	131	107
NFH80		238	18.5	32	57	216	131	107
NFF30	SUS316/PTFE	194	15	—	56	182	63	63
NFF60		194	15	—	56	182	63	63
NFH80		194	15	—	56	182	63	63
NFH100		202	19	—	56	186	71	71
NFH200		202	19	—	56	186	71	71

Material of Liquid End

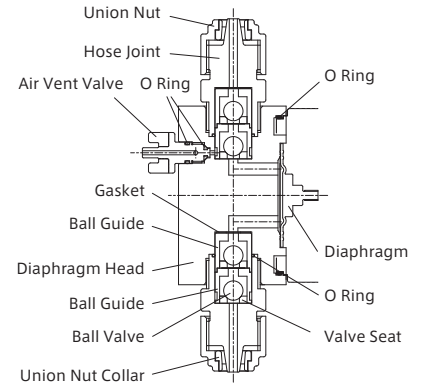
PVDF



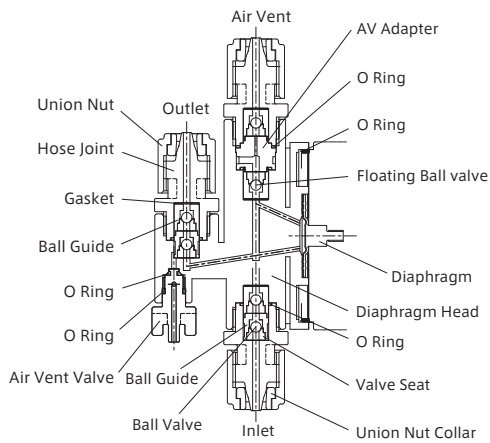
PMMA [NFF30, 60, NFF80]



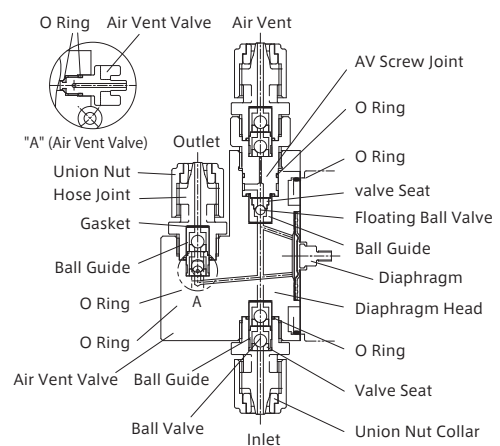
PMMA [NFF100, 200]



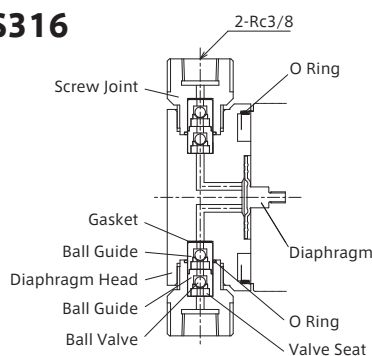
PMMA (Auto Air Venting) [NFF30]



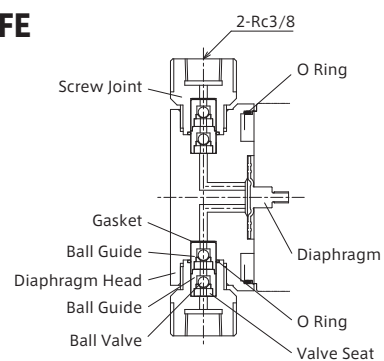
PMMA (Auto Air Venting) [NFF60, NFF80]



SUS316



PTFE

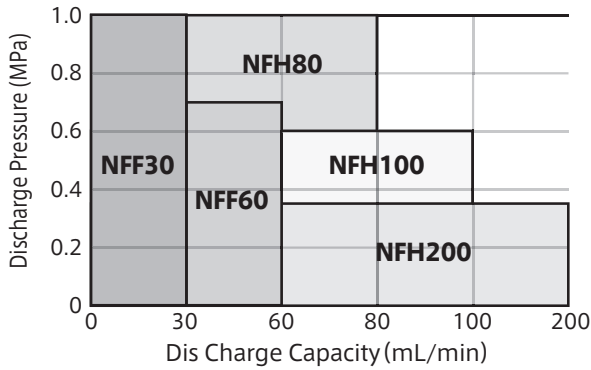


Diaphragm Head	PVDF		PMMA	PMMA (Auto Air Vent)	SUS316	PTFE
Diaphragm	PTFE/CR		PTFE/CR	PTFE/CR	PTFE/CR	PTFE/CR
Ball Guide	PVDF		PVDF	PVDF	SUS316	PTFE
Ball Valve	CE	SUS316	CE	CE	SUS316	CE
Valve Seat	FPM/EPDM	EPDM	FPM/EPDM	FPM/EPDM	EPDM	PTFE
O Ring	FPM/EPDM	EPDM	FPM/EPDM	FPM/EPDM	EPDM	SP Fluorine Rubber
Gasket	PTFE		PTFE	PTFE	PTFE	PTFE
Hose Joint	PVDF		PVDF	PVDF	SUS316	PTFE

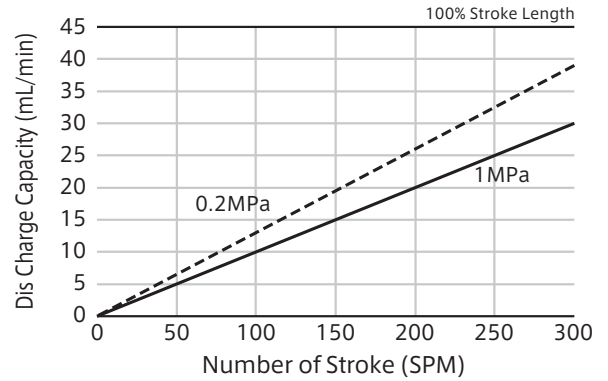
*Auto Air Venting Style is available for NFF30, NFF60 & NFF80

Basic Performance Curve

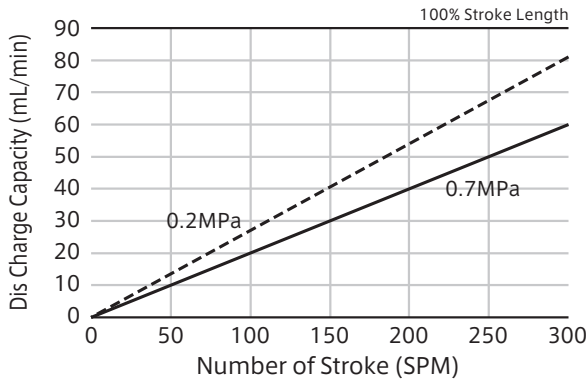
NF SERIES



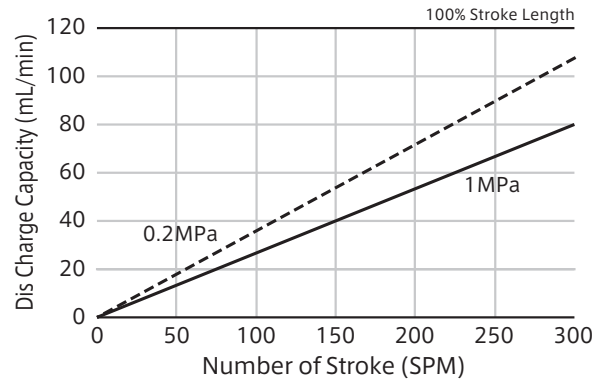
NFF30



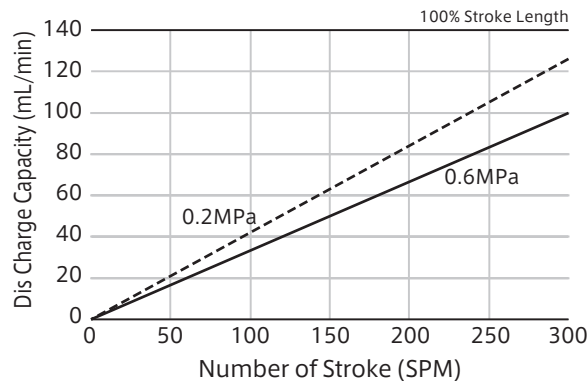
NFF60



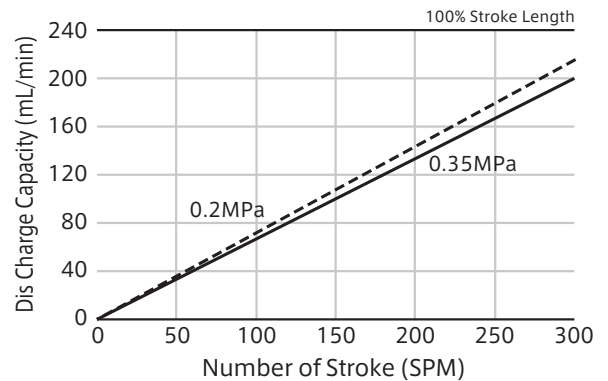
NFH80



NFH100



NFH200



⚠ Notice for the safety operation : To use a pump for safety, be sure to read the instruction manual before your operation.

Product(s) (including parts, technical data or information thereto) described in this catalog shall be subject to export control laws and regulations of Japan or the US. You need to obtain the approval from appropriate government(s) when you export if such laws and regulations require.



NIKKISO EIKO CO.,LTD.

Head office & factory

16-2 Noguchicho 2-chome, Higashi-Murayama City, Tokyo 189-0022, JAPAN

Tel : +81-42-390-6540 Fax : +81-42-390-6541